

# AIR SHOWER

# OTHER SYSTEMS

Design according to requirements of body size, operation method, various options, etc.

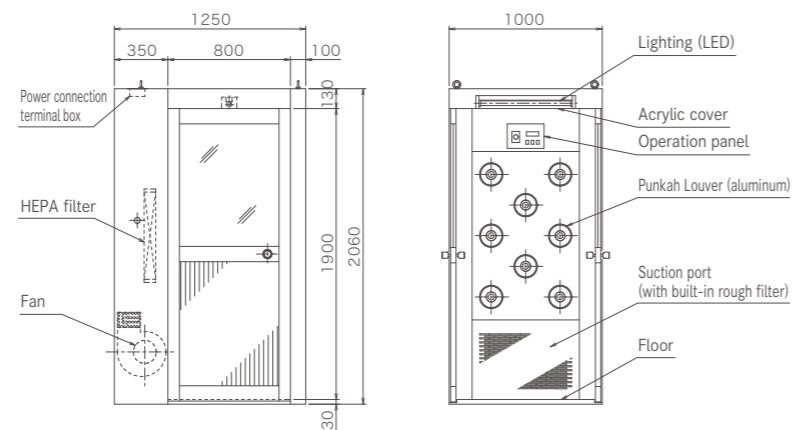
Propose the best clean system according to your intended purpose



Air shower for workers

## Specifications case

Standard type air shower for workers (AS-1000AA)



Dry Heat Sterilizer

Full automatic operation in various modes.  
Secure sterilization and drying process are guaranteed.  
Highly reliable equipment with various safety devices.



Clean Bench

The dimensions of the body, cleanliness, materials for the body, etc., are all custom-designed and custom-made.

## Standard Specifications / Type

Model	AS-1000AA	AS-1000BB	AS-1500AA	AS-2000BB
Dust collection efficiency	99.97% or more for 0.3 μm PAO particles			
Dust collecting filter	Prefilter: Washable nonwoven fabric		Main filter: HEPA filter	
Blowout air velocity (50Hz/60Hz)	Approximately 23/25 m/s			
L dimension of the body	1000mm	1500mm	1500mm	2000mm
Blowout nozzle	8 pieces	16 pieces	8 pieces	32 pieces
Body	Bonderized steel plate with melamine baking finishing			
Effective dimension of the clearance	800mm			
Start-up method	Timer interlock	Photoelectric switch		
	Continuous	Manual changeover switch		
Lighting	20W		40W	
Power consumption (W)	470/640	940/1180	470/640	1880/2360

Category	Type	
Blowout	Single blowing	
	Double blowing	
	Combination with ceiling blowing	
Door	Manual	Slide type
	Automatic	Swing type
		Single-opening
		Double-opening
	Air Curtain	
Direction of entry and exit	Go straight	
	L-type (rectangular)	
	T-type (three-way door)	
Floor	Yes	Flat type
	Non	Grating type
Start of air blowing	Photoelectric switch	
	Pushbutton switch	
	Non-explosion-proof (standard)	
Explosion proof	Improved explosion resistance	
	Explosion-proof	

## Explanation of Model

AS	-	1000	A	A	① Air shower	③ A: Single blowing	B: Double blowing
					② L dimension (mm)	④ A: Manual door	B: Automatic door

- Other models are also available.
- We will design the size and operation method upon request.
- Options are as follows.
- Air curtain / Electromagnetic lock / Interphone / Ceiling blowing



Mothproof booth

Entry of insects and foreign substances is prevented by the supply of clean air through a filter and positive pressurization within the equipment.  
Airtight doors, a cleaning function within the equipment, are designed and constructed upon request.



Simplified Clean Booth

Clean booth compliant with ISO6 to 8.  
For various purposes such as cleaning of one block of a factory.